

## HOOK-UP and LEAD SPEAKER WIRE

### 26 AWG

**Specifications:**

Stranding: 7/34  
 Insulation Thickness: .010" (Stranded), .009" (Solid)  
 Insulation Material: Semi-rigid PVC  
 Nominal O.D.: .039" (Stranded), .036" (Solid)  
 Maximum Rating: 300 Volts  
 Amps Rating: 4 Amps  
 Packaging: Spool



**Stranded (Tinned Copper)**

25 Feet	100 Feet	1000 Feet	Color
14-426-1H10	14-426-1H40	14-426-1H80	Gray
14-426-1H11	14-426-1H41	14-426-1H81	Black
14-426-1H12	14-426-1H42	14-426-1H82	Brown
14-426-1H13	14-426-1H43	14-426-1H83	Orange
14-426-1H14	14-426-1H44	14-426-1H84	Off-White
14-426-1H15	14-426-1H45	14-426-1H85	Violet
14-426-1H16	14-426-1H46	14-426-1H86	Red
14-426-1H17	14-426-1H47	14-426-1H87	Green
14-426-1H18	14-426-1H48	14-426-1H88	Yellow
14-426-1H19	14-426-1H49	14-426-1H89	Light Blue

**Solid (Tinned Copper)**

25 Feet	100 Feet	1000 Feet	Color
14-426-1K10	14-426-1K40	14-426-1K80	Gray
14-426-1K11	14-426-1K41	14-426-1K81	Black
14-426-1K12	14-426-1K42	14-426-1K82	Brown
14-426-1K13	14-426-1K43	14-426-1K83	Orange
14-426-1K14	14-426-1K44	14-426-1K84	Off-White
14-426-1K15	14-426-1K45	14-426-1K85	Violet
14-426-1K16	14-426-1K46	14-426-1K86	Red
14-426-1K17	14-426-1K47	14-426-1K87	Green
14-426-1K18	14-426-1K48	14-426-1K88	Yellow
14-426-1K19	14-426-1K49	14-426-1K89	Light Blue

### 24 AWG

**Specifications:**

Stranding: 7/32  
 Insulation Thickness: .010"  
 Insulation Material: Semi-rigid PVC  
 Nominal O.D.: .044" (Stranded), .040" (Solid)  
 Maximum Rating: 300 Volts  
 Amps Rating: 6 Amps  
 Packaging: Spool



**Stranded (Tinned Copper)**

25 Feet	100 Feet	1000 Feet	Color
14-424-1B10	14-424-1B40	14-424-1B80	Gray
14-424-1B11	14-424-1B41	14-424-1B81	Black
14-424-1B12	14-424-1B42	14-424-1B82	Brown
14-424-1B13	14-424-1B43	14-424-1B83	Orange
14-424-1B14	14-424-1B44	14-424-1B84	Off-White
14-424-1B15	14-424-1B45	14-424-1B85	Violet
14-424-1B16	14-424-1B46	14-424-1B86	Red
14-424-1B17	14-424-1B47	14-424-1B87	Green
14-424-1B18	14-424-1B48	14-424-1B88	Yellow
14-424-1B19	14-424-1B49	14-424-1B89	Light Blue

**Solid (Tinned Copper)**

25 Feet	100 Feet	1000 Feet	Color
14-424-1L10	14-424-1L40	14-424-1L80	Gray
14-424-1L11	14-424-1L41	14-424-1L81	Black
14-424-1L12	14-424-1L42	14-424-1L82	Brown
14-424-1L13	14-424-1L43	14-424-1L83	Orange
14-424-1L14	14-424-1L44	14-424-1L84	Off-White
14-424-1L15	14-424-1L45	14-424-1L85	Violet
14-424-1L16	14-424-1L46	14-424-1L86	Red
14-424-1L17	14-424-1L47	14-424-1L87	Green
14-424-1L18	14-424-1L48	14-424-1L88	Yellow
14-424-1L19	14-424-1L49	14-424-1L89	Light Blue

### 22 AWG

**Specifications:**

Stranding: 7/30  
 Insulation Thickness: .010"  
 Insulation Material: Semi-rigid PVC  
 Nominal O.D.: .050" (Stranded), .045" (Solid)  
 Maximum Rating: 300 Volts  
 Amps Rating: 8 Amps  
 Packaging: Spool



**Stranded (Tinned Copper)**

25 Feet	100 Feet	1000 Feet	Color
14-422-1C10	14-422-1C40	14-422-1C80	Gray
14-422-1C11	14-422-1C41	14-422-1C81	Black
14-422-1C12	14-422-1C42	14-422-1C82	Brown
14-422-1C13	14-422-1C43	14-422-1C83	Orange
14-422-1C14	14-422-1C44	14-422-1C84	Off-White
14-422-1C15	14-422-1C45	14-422-1C85	Violet
14-422-1C16	14-422-1C46	14-422-1C86	Red
14-422-1C17	14-422-1C47	14-422-1C87	Green
14-422-1C18	14-422-1C48	14-422-1C88	Yellow
14-422-1C19	14-422-1C49	14-422-1C89	Light Blue

**Solid (Tinned Copper)**

25 Feet	100 Feet	1000 Feet	Color
14-422-1M10	14-422-1M40	14-422-1M80	Gray
14-422-1M11	14-422-1M41	14-422-1M81	Black
14-422-1M12	14-422-1M42	14-422-1M82	Brown
14-422-1M13	14-422-1M43	14-422-1M83	Orange
14-422-1M14	14-422-1M44	14-422-1M84	Off-White
14-422-1M15	14-422-1M45	14-422-1M85	Violet
14-422-1M16	14-422-1M46	14-422-1M86	Red
14-422-1M17	14-422-1M47	14-422-1M87	Green
14-422-1M18	14-422-1M48	14-422-1M88	Yellow
14-422-1M19	14-422-1M49	14-422-1M89	Light Blue

### 20 AWG

#### Specifications:

Stranding: 7/28  
 Insulation Thickness: .010"  
 Insulation Material: Semi-rigid PVC  
 Nominal O.D.: .058" (Stranded), .052" (Solid)  
 Maximum Rating: 300 Volts  
 Amps Rating: 10 Amps  
 Packaging: Spool



#### Stranded (Tinned Copper)

25 Feet	100 Feet	1000 Feet	Color
14-420-1D10	14-420-1D40	14-420-1D80	Gray
14-420-1D11	14-420-1D41	14-420-1D81	Black
14-420-1D12	14-420-1D42	14-420-1D82	Brown
14-420-1D13	14-420-1D43	14-420-1D83	Orange
14-420-1D14	14-420-1D44	14-420-1D84	Off-White
14-420-1D15	14-420-1D45	14-420-1D85	Violet
14-420-1D16	14-420-1D46	14-420-1D86	Red
14-420-1D17	14-420-1D47	14-420-1D87	Green
14-420-1D18	14-420-1D48	14-420-1D88	Yellow
14-420-1D19	14-420-1D49	14-420-1D89	Light Blue

#### Solid (Tinned Copper)

25 Feet	100 Feet	1000 Feet	Color
14-420-1O10	14-420-1O40	14-420-1O80	Gray
14-420-1O11	14-420-1O41	14-420-1O81	Black
14-420-1O12	14-420-1O42	14-420-1O82	Brown
14-420-1O13	14-420-1O43	14-420-1O83	Orange
14-420-1O14	14-420-1O44	14-420-1O84	Off-White
14-420-1O15	14-420-1O45	14-420-1O85	Violet
14-420-1O16	14-420-1O46	14-420-1O86	Red
14-420-1O17	14-420-1O47	14-420-1O87	Green
14-420-1O18	14-420-1O48	14-420-1O88	Yellow
14-420-1O19	14-420-1O49	14-420-1O89	Light Blue

### 18 AWG

#### Specifications:

Stranding: 19/.0092  
 Insulation Thickness: .010"  
 Insulation Material: Semi-rigid PVC  
 Nominal O.D.: .066" (Stranded), .060" (Solid)  
 Maximum Rating: 300 Volts  
 Amps Rating: 15 Amps  
 Packaging: Spool



#### Stranded (Tinned Copper)

25 Feet	100 Feet	1000 Feet	Color
14-418-1E10	14-418-1E40	14-418-1E80	Gray
14-418-1E11	14-418-1E41	14-418-1E81	Black
14-418-1E12	14-418-1E42	14-418-1E82	Brown
14-418-1E13	14-418-1E43	14-418-1E83	Orange
14-418-1E14	14-418-1E44	14-418-1E84	Off-White
14-418-1E15	14-418-1E45	14-418-1E85	Violet
14-418-1E16	14-418-1E46	14-418-1E86	Red
14-418-1E17	14-418-1E47	14-418-1E87	Green
14-418-1E18	14-418-1E48	14-418-1E88	Yellow
14-418-1E19	14-418-1E49	14-418-1E89	Light Blue

#### Solid (Tinned Copper)

25 Feet	100 Feet	1000 Feet	Color
14-418-1P10	14-418-1P40	14-418-1P80	Gray
14-418-1P11	14-418-1P41	14-418-1P81	Black
14-418-1P12	14-418-1P42	14-418-1P82	Brown
14-418-1P13	14-418-1P43	14-418-1P83	Orange
14-418-1P14	14-418-1P44	14-418-1P84	Off-White
14-418-1P15	14-418-1P45	14-418-1P85	Violet
14-418-1P16	14-418-1P46	14-418-1P86	Red
14-418-1P17	14-418-1P47	14-418-1P87	Green
14-418-1P18	14-418-1P48	14-418-1P88	Yellow
14-418-1P19	14-418-1P49	14-418-1P89	Light Blue

### Magnet Wire

#### Specifications:

Insulation Material: Polyurethane/Nylon  
 NEMA Temperature Rating: 155°C/311°F  
 NEMA Spec: MW – (80°C)  
 Heat Shock Test: 175°C  
 Packaging: Spool

#### Applications:

Lighting, Ballasts, Relays & Timers, Motor Applications, Auto Devices

Retail Part No.	Nominal Bare Diameter	Length (Feet)	Gauge	DC Resistance in ohms/1000 Feet @ 20°C
L3-610	.0285	50	21 AWG	12.768
L3-612	.0201	100	24 AWG	25.796
L3-614	.0125	200	28 AWG	65.325
L3-616	.0080	400	32 AWG	162.05

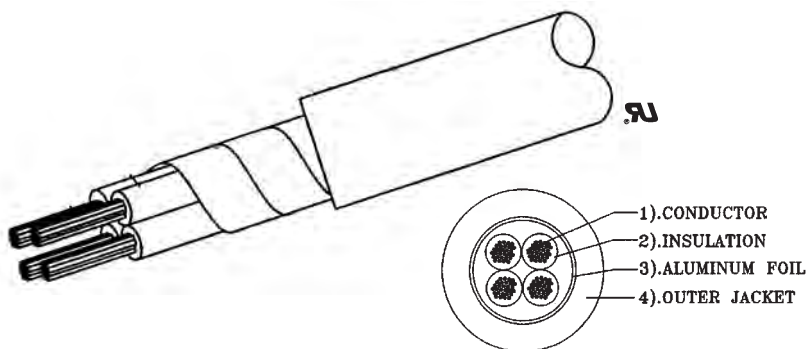


## IN-WALL SPEAKER WIRE

### In-Wall Speaker Wire

#### Specifications:

Conductor Material: Stranded Bare Copper  
 Insulation Material: Semi-rigid PVC  
 Insulation Nominal Thickness: 0.225mm  
 Voltage Rating: 300 Volts  
 Temperature Rating: 80°C  
 UL Flammability Rating: VW-1  
 Color: Gray  
 Shield: Aluminum/Foil  
 Jacket Material: PVC  
 Jacket Nominal Thickness: 0.50mm  
 Appliance Wiring Material: 2547



#### Applications:

Audio/stereo/sound system conductivity, intercom systems, public address systems

#### Features:

Stranded bare copper conductors, PVC insulated conductors, shielded for better performance, flame retardant jacket

Retail Part No.	Length (Feet)	No. of Conductors	AWG	Stranding	Insulation I.D. (mm)	Cable O.D. (mm)
14-1214-2Q89	1000	2	14	19/0.36	2.4	5.7
14-1216-2F89	1000	2	16	26/0.254	2.0	5.0
14-1216-4F25	25	4	16	19/0.36	2.0	6.0
14-1216-4F1C	100	4	16	19/0.36	2.0	6.0

## COMPONENT SPEAKER WIRE

### Applications:

Low capacitance cable for use in high definition speaker systems. Rope lay designed to increase the conductive surface, to reduce "skin effect", and to maximize flexibility. Low capacitance, resistance and inductance of these cables transfer music signals from amplifier to speakers with high clarity and definition.



### Oxygen Free Power Flex™ (12 AWG, 2-Conductor)

#### Specifications:

Conductor Gauge: 12 AWG  
 Conductor Material: Bare Oxygen Free Copper  
 Stranding: 259/36  
 Insulation Nominal Thickness: 0.555  
 Insulation/Rope Lay Material: Extra Flexible PVC  
 Voltage Rating: 300 Volts  
 Temperature Rating: -20°C to 60°C  
 Nominal O.D.: .205 x .415  
 Additional: Surface Print for Identification & Polarity

Retail Part No.	Length (Feet)	No. of Conductors	Color	Packing
30-583	25	2	Clear	Hank
14-212-9H43	100	2	Clear	Spool
14-212-9H53	250	2	Clear	Spool
14-212-9H63	1000	2	Clear	Spool

### Oxygen Free Power Flex™ (10 AWG, 2-Conductor)

#### Specifications:

Conductor Gauge: 10 AWG  
 Conductor Material: Bare Oxygen Free Copper  
 Stranding: 413/36  
 Insulation Nominal Thickness: 0.070  
 Insulation/Rope Lay Material: Flexible PVC  
 Voltage Rating: 300 Volts  
 Temperature Rating: -20°C to 60°C  
 Nominal O.D.: .270 x .540  
 Additional: Surface Print for Identification & Polarity

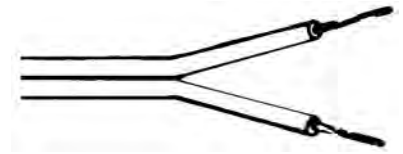
Retail Part No.	Length (Feet)	No. of Conductors	Color	Packing
30-581	25	2	Clear	Hank
14-210-9H43	100	2	Clear	Spool
14-210-9H53	250	2	Clear	Spool
14-210-9H63	1000	2	Clear	Spool

## COMPONENT SPEAKER WIRE (Cont.)

### 2-Conductor Parallel Zip Cord

#### Applications:

Two-conductor Parallel Zip Cord Wire for loudspeaker connection and other low voltage applications such as alarm, signal and telephone circuits. Automotive speaker wire, juke boxes, stereo speaker wire.



### 24 AWG, 2-Conductor

#### Specifications:

Conductor Gauge: 24 AWG  
 Conductor Material: Bare Copper  
 Stranding: 7/32  
 Insulation Nominal Thickness: .016"  
 Insulation/Rope Lay Material: PVC  
 Voltage Rating: 300 Volts  
 Temperature Rating: -20°C to 60°C  
 Nominal O.D.: .055" x .110"  
 Jacket Color: Clear  
 Additional: White Identification  
 Polarity Stripe

Retail Part No.	Length (Feet)	Packing
14-224-2B13	25	Spool
14-224-2B23	50	Spool
30-586	50	Hank
14-224-2B43	100	Spool
30-588	100	Hank
14-224-2B63	500	Spool
14-224-2B83	1000	Spool

### 22 AWG, 2-Conductor

#### Specifications:

Conductor Gauge: 22 AWG  
 Conductor Material: Bare Copper  
 Stranding: 7/30  
 Insulation Nominal Thickness: .020"  
 Insulation/Rope Lay Material: PVC  
 Voltage Rating: 300 Volts  
 Temperature Rating: -20°C to 60°C  
 Nominal O.D.: .070" x .140"  
 Jacket Color: Clear  
 Additional: White Identification  
 Polarity Stripe

Retail Part No.	Length (Feet)	Packing
14-222-2C13	25	Spool
14-222-2C23	50	Spool
14-222-2C43	100	Spool
14-222-2C63	500	Spool
14-222-2C83	1000	Spool

### 20 AWG, 2-Conductor

#### Specifications:

Conductor Gauge: 20 AWG  
 Conductor Material: Bare Copper  
 Stranding: 7/28  
 Insulation Nominal Thickness: .025"  
 Insulation/Rope Lay Material: PVC  
 Voltage Rating: 300 Volts  
 Temperature Rating: -20°C to 60°C  
 Nominal O.D.: .085" x .170"  
 Jacket Color: Clear  
 Additional: White Identification  
 Polarity Stripe

Retail Part No.	Length (Feet)	Packing
14-220-2D13	25	Spool
14-220-2D23	50	Spool
30-553	50	Hank
14-220-2D63	500	Spool
14-220-2D83	1000	Spool

### 18 AWG, 2-Conductor

#### Specifications:

Conductor Gauge: 18 AWG  
 Conductor Material: Bare Copper  
 Stranding: 16/30  
 Insulation Nominal Thickness: .025"  
 Insulation/Rope Lay Material: PVC  
 Voltage Rating: 300 Volts  
 Temperature Rating: -20°C to 60°C  
 Nominal O.D.: .100" x .200"  
 Jacket Color: Clear  
 Additional: White Identification  
 Polarity Stripe

Retail Part No.	Length (Feet)	Packing
14-218-2E13	25	Spool
14-218-2E23	50	Spool
30-584	50	Hank
14-218-2E43	100	Spool
30-554	100	Hank
14-218-2E53	250	Spool
14-218-2E63	500	Spool
14-218-2E83	1000	Spool

### 16 AWG, 2-Conductor

#### Specifications:

Conductor Gauge: 16 AWG  
 Conductor Material: Bare Copper  
 Stranding: 19/29  
 Insulation Nominal Thickness: .025"  
 Insulation/Rope Lay Material: PVC  
 Voltage Rating: 300 Volts  
 Temperature Rating: -20°C to 60°C  
 Nominal O.D.: .105" x .205"  
 Jacket Color: Clear  
 Additional: White Identification  
 Polarity Stripe

Retail Part No.	Length (Feet)	Packing
14-216-2F13	25	Spool
14-216-2F23	50	Spool
14-216-2F43	100	Spool
14-216-2F53	250	Spool
14-216-2F63	500	Spool
14-216-2F83	1000	Spool

### 14 AWG, 2-Conductor

#### Specifications:

Conductor Gauge: 14 AWG  
 Conductor Material: Bare Copper  
 Stranding: 19/27  
 Insulation Nominal Thickness: .025"  
 Insulation/Rope Lay Material: PVC  
 Voltage Rating: 300 Volts  
 Temperature Rating: -20°C to 60°C  
 Nominal O.D.: .120" x .240"  
 Jacket Color: Clear  
 Additional: White Identification  
 Polarity Stripe

Retail Part No.	Length (Feet)	Packing
14-214-2Q23	50	Spool
14-214-2Q43	100	Spool
14-214-2Q63	500	Spool

Wire